

Vexve Type 233

Stainless steel, with flange/flange ends

Material

Body:	Stainless steel, EN 10217-7 X2CrNiMo17-12-2(1.4404)
Ball:	Stainless steel, EN X2CrNiMo17-12-2(1.4404)
Stem:	Stainless steel, EN X2CrNiMo17-12-2(1.4404)
Stem seals:	FPM
Ball seals:	Carbonized PTFE
Handle	
DN 15 - 150	Stainless steel
DN 200 - 250	Painted steel

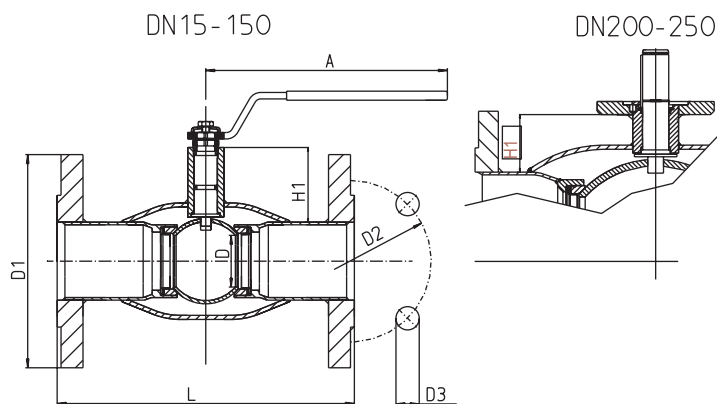
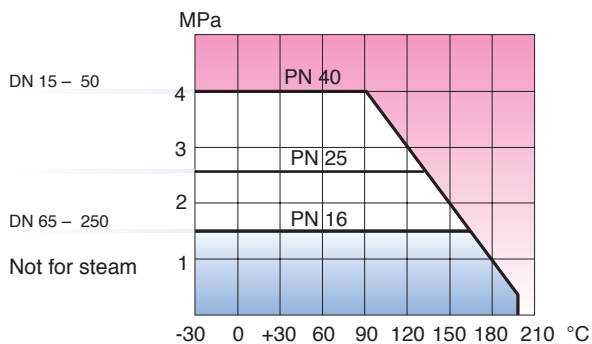
We recommend manual gear operation for DN 150 - 250

Operating conditions

Temperature: -30 °C - +200 °C
below 0 °C contact manufacturer

Flanges EN 1092-1
Available also PN 10, 16, 25, 40

The length DIN 3202



DN	PN body	PN flanges	Product No.	D	D1	D2	D3	H	H1	A	L	Holes	Kv	Weight
15	40	40	233 015	10	95	65	14	100	22	140	130	4	8	1,7
20	40	40	233 020	15	105	75	14	100	23	140	150	4	14	2,4
25	40	40	233 025	20	115	85	14	90	28	150	160	4	25	2,9
32	40	40	233 032	25	140	100	18	95	27	150	180	4	41	4,5
40	40	40	233 040	32	150	110	18	100	34	190	200	4	65	5,7
50	40	40	233 050	40	165	125	18	110	35	190	230	4	103	7,0
65	25	16	233 065	50	185	145	18	160	51	280	270	4	180	9,7
80	25	16	233 080	65	200	160	18	170	57	280	280	8	290	10,9
100	25	16	233 100	80	220	180	18	185	55	280	300	8	470	15,0
125	25	16	233 125	100	250	210	18	205	56	420	325	8	830	21,7
150	25	16	233 150	125	285	240	22	225	62	600	350	8	1150	30,5
200	25	16	233 200	150	340	295	22	273	72	870	400	12	1750	50,2
250	25	16	233 250	200	405	355	26	332	88	1200	530	12	3200	92,3